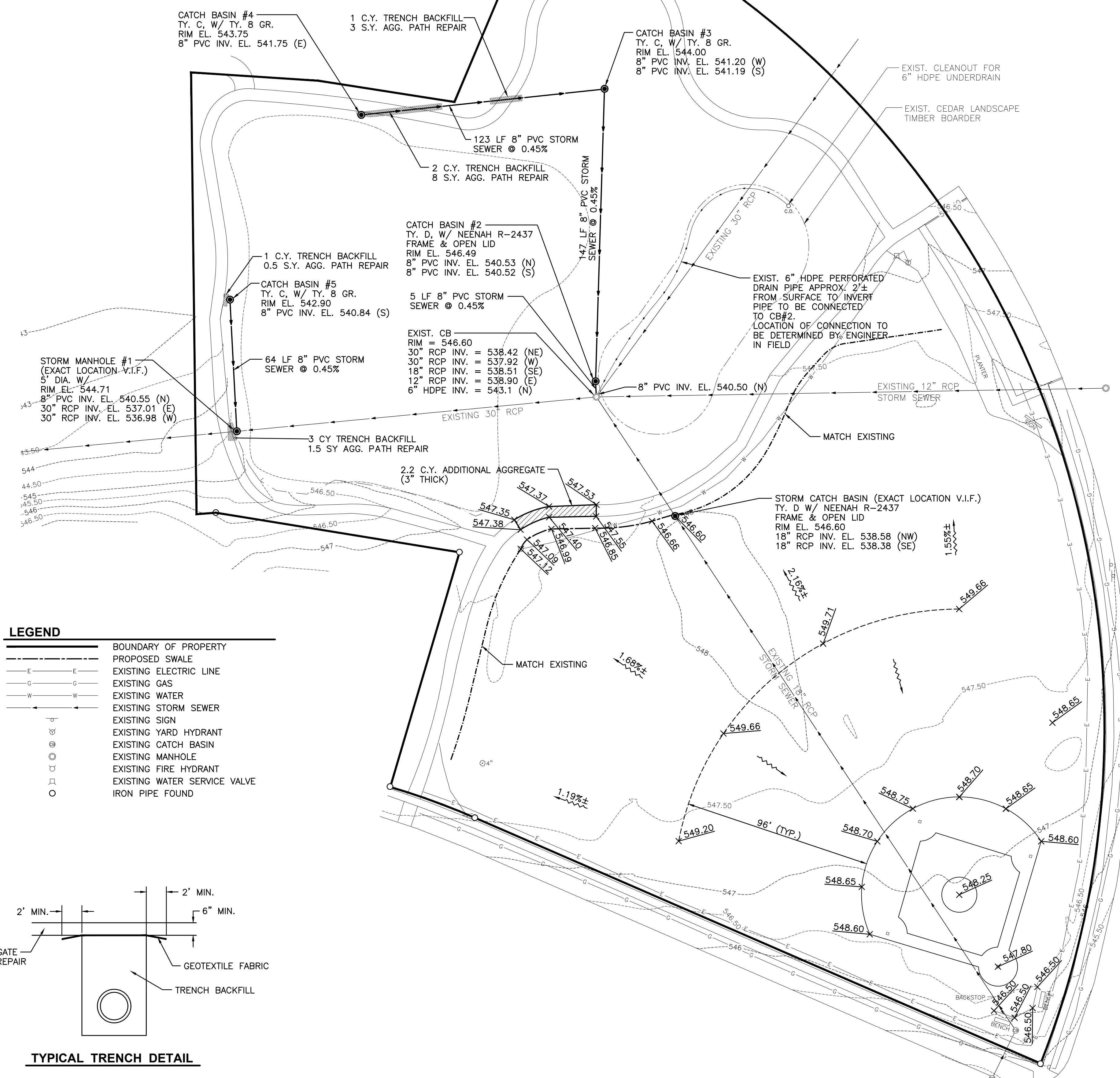
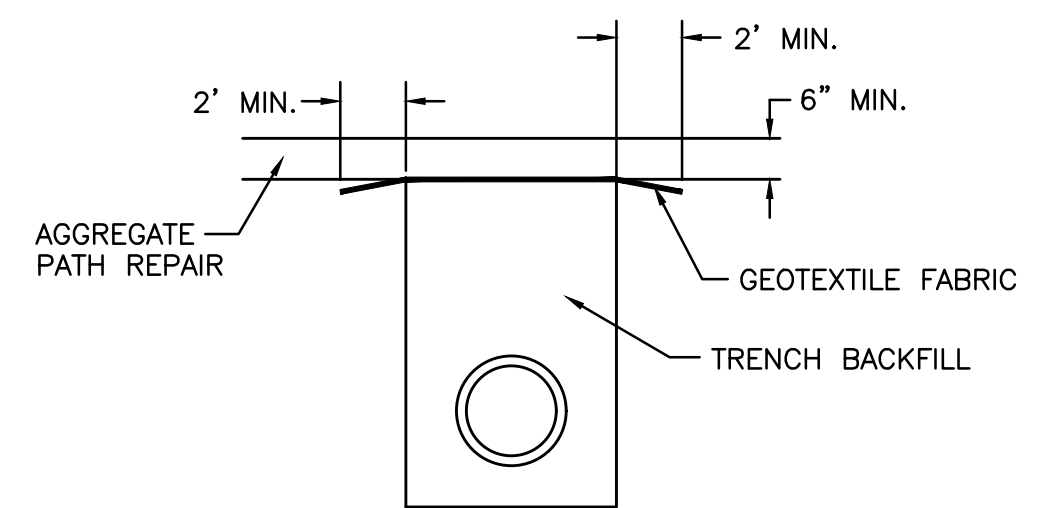


CHAMLIN & ASSOCIATES, INC. © 2018  
 Drawing Name: CHAUBR 14.1.18.082-04 DEER RIDGE PARK PH 4 (Kawans) 2018\CAD\PLAN.dwg Last Modified: Mar 29, 2018 - 4:57pm Plotted on: Apr 05, 2018 - 4:36pm by: nickt

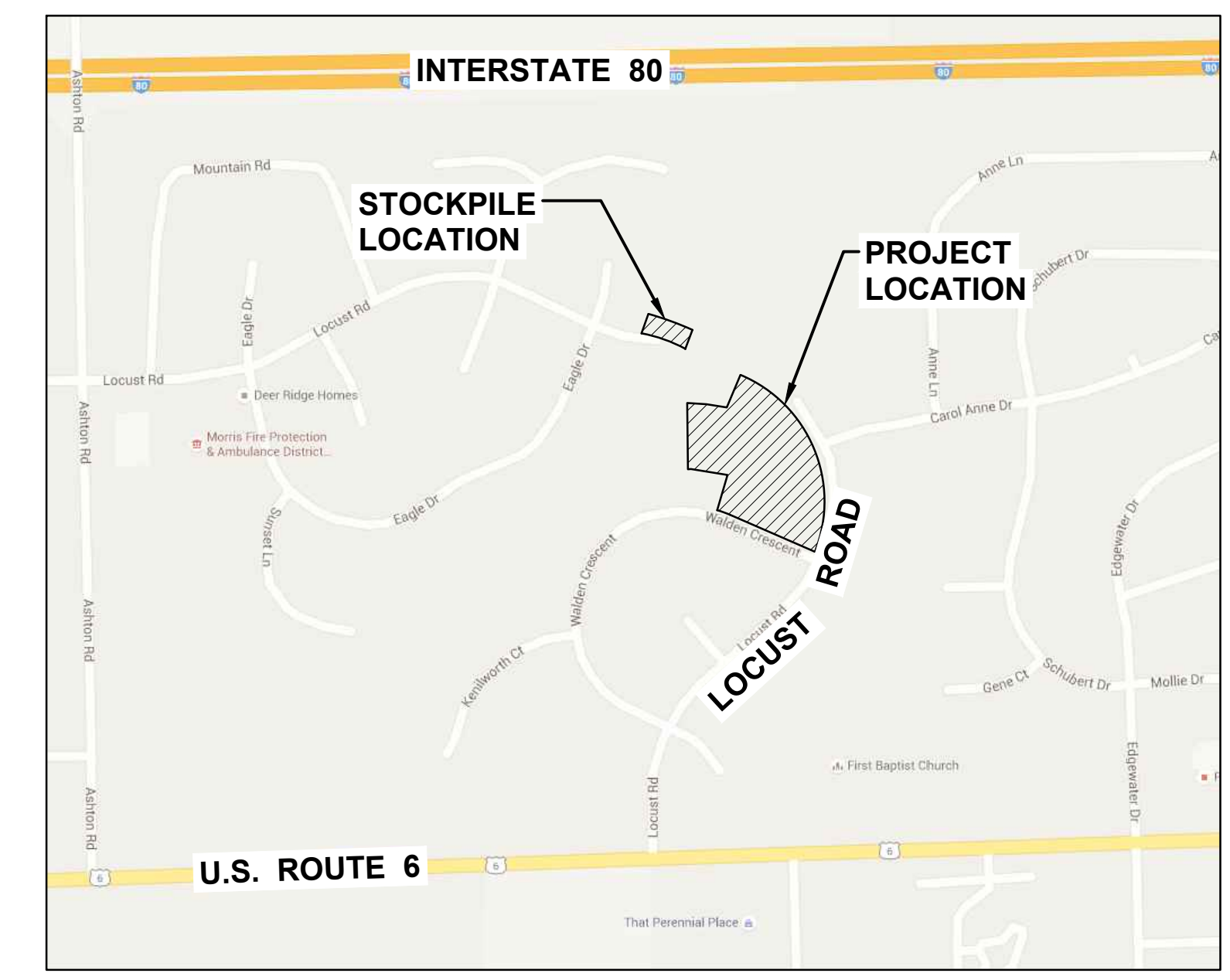


**LEGEND**

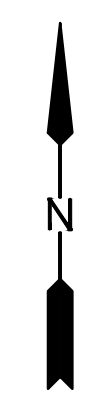
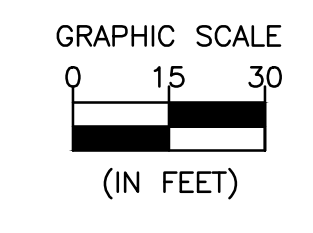
---	BOUNDARY OF PROPERTY
- - - -	PROPOSED SWALE
- - - -	EXISTING ELECTRIC LINE
- - - -	EXISTING GAS
- - - -	EXISTING WATER
- - - -	EXISTING STORM SEWER
⊕	EXISTING SIGN
⊕	EXISTING YARD HYDRANT
⊕	EXISTING CATCH BASIN
⊕	EXISTING MANHOLE
⊕	EXISTING FIRE HYDRANT
⊕	EXISTING WATER SERVICE VALVE
⊕	IRON PIPE FOUND



**TYPICAL TRENCH DETAIL**



**VICINITY MAP**



**SUMMARY OF QUANTITIES**

ITEM NO.	ITEM	UNIT	QUANTITY
1	TRENCH BACKFILL	CY	10
2	GRADING AND SHAPING	LS	1
3	AGGREGATE PATH REPAIR	SY	25
4	STORM SEWER PVC (SDR-26) 8"	LF	445
5	CATCH BASIN TYPE-C WITH TYPE 8 GRATE	EACH	5
6	CATCH BASIN TYPE-D WITH NEENAH R-2437 FRAME & OPEN LID	EACH	2
7	MANHOLE TYPE-A 5' DIAMETER WITH TYPE 1 FRAME & OPEN LID	EACH	1
8	CONNECT EXISTING STORM SEWER TO PROPOSED STRUCTURE 30" RCP	EACH	1
9	CONNECT EXISTING STORM SEWER TO PROPOSED STRUCTURE 18" RCP	EACH	1
10	CONNECT EXISTING STORM SEWER TO PROPOSED STRUCTURE 6" HDPE	EACH	1

**EARTHWORK SUMMARY**

LOCATION	UNCLASSIFIED EXCAVATION		
	CUT (COMPUTED EXISTING IN PLACE) (CY) (A)	FILL (COMPUTED IN PLACE) (CY) (B)	SHORTAGE(-) OR EXCESS(+) (CY) (C) (A(0.85)-B)
GENERAL SITE AREA (69,966 S.F.)	69	2,661	-2,602

NOTE: ALL REQUIRED FILL MATERIALS TO BE IMPORTED SHALL BE PROVIDED BY THE OWNER FROM THE STOCKPILE LOCATED ADJACENT TO SITE (AS SHOWN ON VICINITY MAP)

DRAWN BY: NET	LEVEL	BY	DATE	REVISIONS	DESCRIPTION
CHECKED BY: CJM					
CREATED: 3/18					

PERU MORRIS  
 ILLINOIS

**DEER RIDGE PARK**  
 CITY OF MORRIS, GRUNDY COUNTY, ILLINOIS

**GRADING & DRAINAGE PLAN**

CURRENT AS OF: 03/29/18	
SCALE: AS NOTED	SHEET 1
FILE NO.: 14358	OF 1